



I-87068W | I-87068W-A2

4-ch Form A Power Relay and 4-ch Form C Power Relay Module

Features

- Form A & Form C Relay Output
- Power-on Value
- Safe Value
- Dual Watchdog Timer
- 2000/3750 VDC Intra-module Isolation
- 4 kV ESD Protection



Introduction

The I-87068W provides 4 Form A power relay output channels and 4 Form C power relay output channels. The I-87068W-2A provides 4 Form A signal relay output channels and 4 Form C signal relay output channels. Both include 8 LED indicators for monitoring the relay output status and provide options for configuring power-on and safe digital output values. 4 kV ESD protection and 3750 VDC intra-module isolation are also provided. The I-87068W is the ideal solution for high power applications and the I-87068W-2A is the ideal solution for small signal switching.

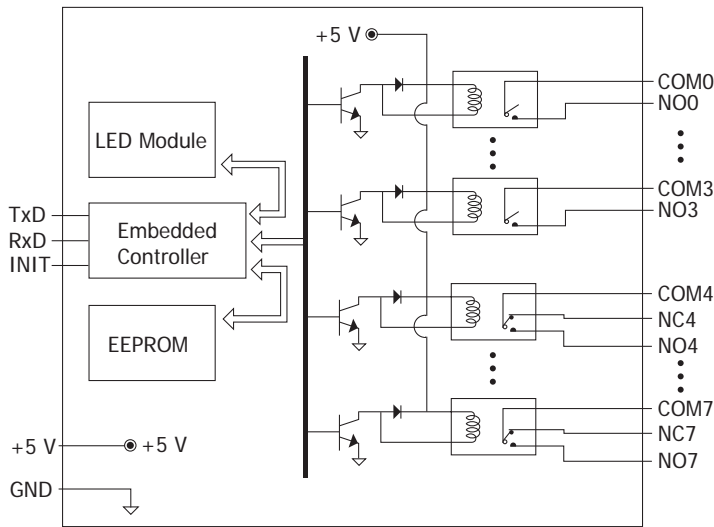
System Specifications

Model	I-87068W	I-87068W-A2
COM Port		
Ports	RS-485	
Data Format	N, 8, 1	
Baud Rate	1200 ~ 115200 bps	
Protocol	DCON	
CPU Module		
Dual Watchdog Timer	Module (1.6 Seconds), Communication (Programmable)	
LED Indicators		
System LED Indicator	1	
I/O LED Indicator	8	
Isolation		
Intra-module Isolation, Field-to-Logic	3750 VDC	2000 VDC
EMS Protection		
ESD (IEC 61000-4-2)	±4 kV Contact for Each port, ±8 kV Air for Random Point	
Power		
Consumption	2.1 W Max.	1.2 W Max.
Mechanical		
Dimensions (W x L x H)	30 mm × 115 mm × 102 mm	
Environment		
Operating Temperature	-25 ~ +75 °C	
Storage Temperature	-40 ~ +85 °C	
Humidity	10 ~ 95 % RH, Non-condensing	

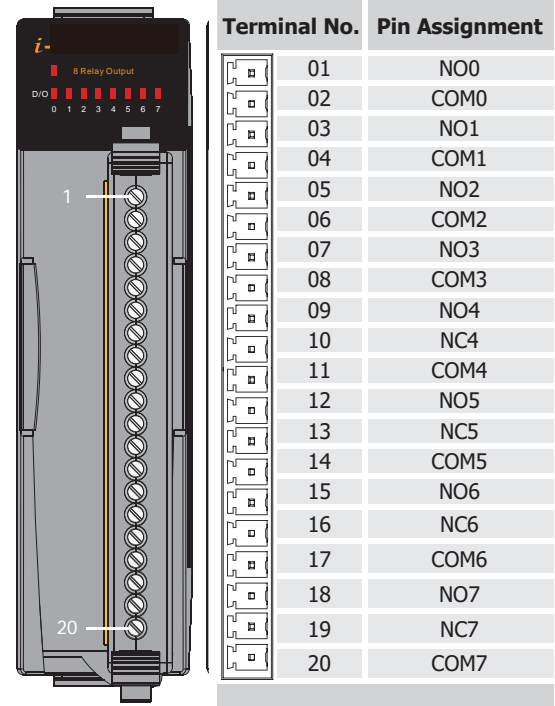
I/O Specifications

Model	I-87068W	I-87068W-A2		
Relay Output				
Channels	8 (Form A x 4, Form C x 4)			
Type	Power Relay	Signal Relay		
Contact Material	Sliver, Sliver Alloy	Silver Nickel, Gold-plated		
Form A	Contact Rating	Max. Load Current	8 A @ 28 VDC, 8 A @ 250 VAC	2 A @ 30 VDC 0.24 A @ 220 VDC 0.25 A @ 250 VAC
		Min. Load Current	100 mA @ 5 VDC	1 uA @ 100 uV
	Operate Time	15 ms (typical)	3 ms (typical)	
	Release Time	4 ms (typical)	4 ms (typical)	
	Mechanical Endurance	10 ⁷ ops	10 ⁸ ops	
Form C	Contact Rating	Max. Load Current	5 A (NO)/3 A (NC) @ 30 VDC 5 A (NO)/3 A (NC) @ 277 VAC	2 A @ 30 VDC 0.24 A @ 220 VDC 0.25 A @ 250 VAC
		Min. Load Current	100 mA @ 5 VDC	1 uA @ 100 uV
	Operate Time	10 ms (typical)	3 ms (typical)	
	Release Time	5 ms (typical)	4 ms (typical)	
	Mechanical Endurance	10 * 10 ⁶ ops	10 ⁸ ops	
Electrical Endurance	10 ⁵ ops	2 * 10 ⁵ ops		
Power-on Value	Yes			
Safe Value	Yes			

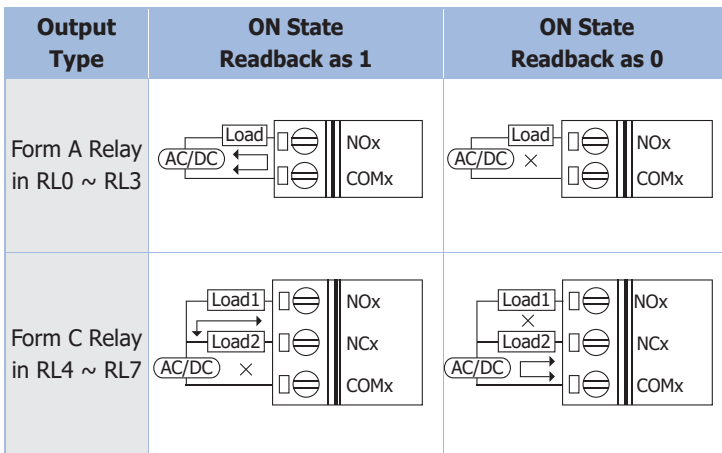
Internal I/O Structure



Pin Assignments



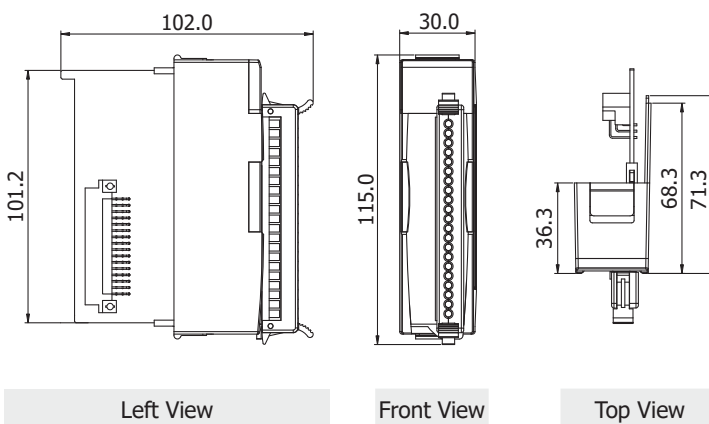
Wire Connections



Applications

- Building Automation
- Factory Automation
- Machine Automation
- Remote Maintenance
- Remote Diagnosis
- Testing Equipment

Dimensions (Unit: mm)



Ordering Information

I-87068W-G CR	4-channel Form A Power Relay Output and 4-channel Form C Power Relay Output Module (RoHS)
I-87068W-2A-G CR	4-channel Form A Signal Relay Output and 4-channel Form C Signal Relay Output Module (RoHS)